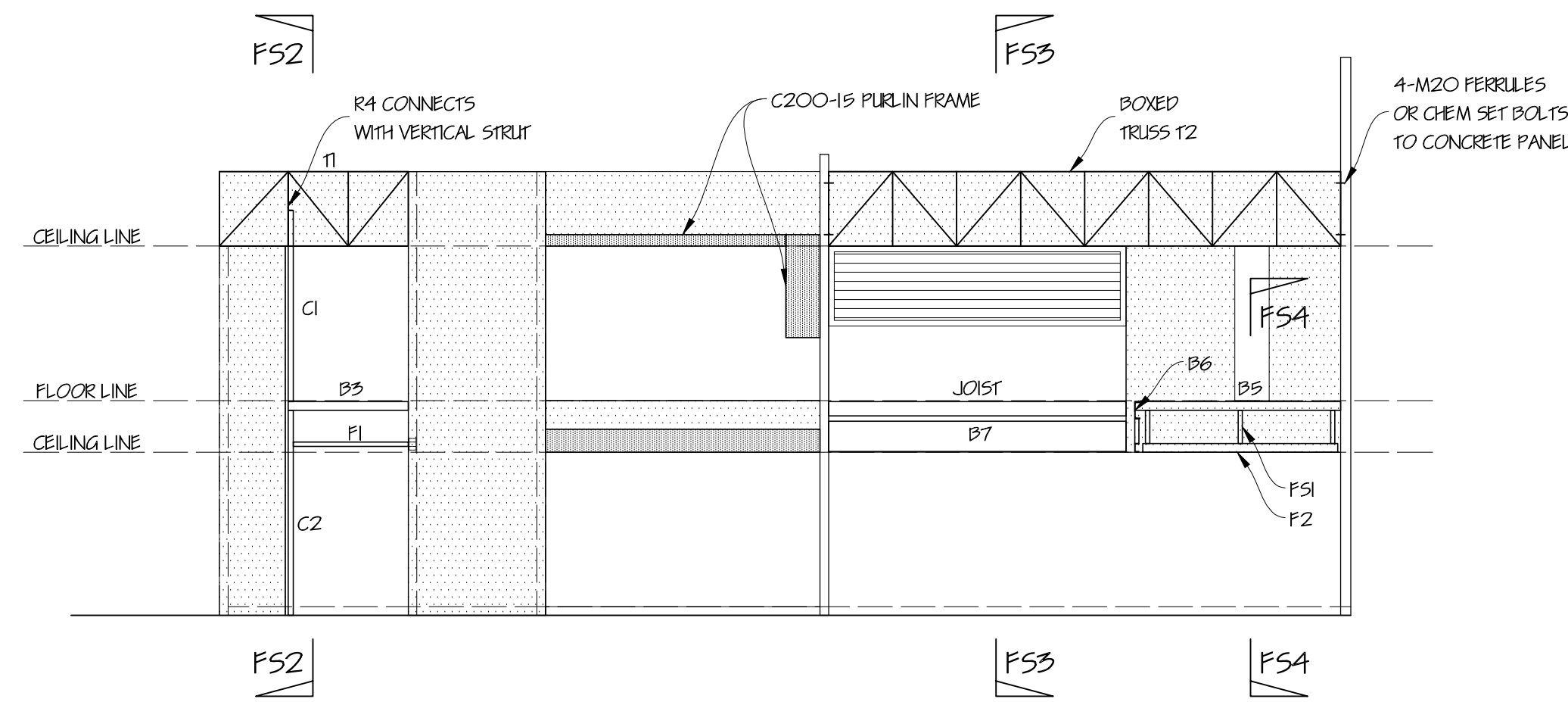
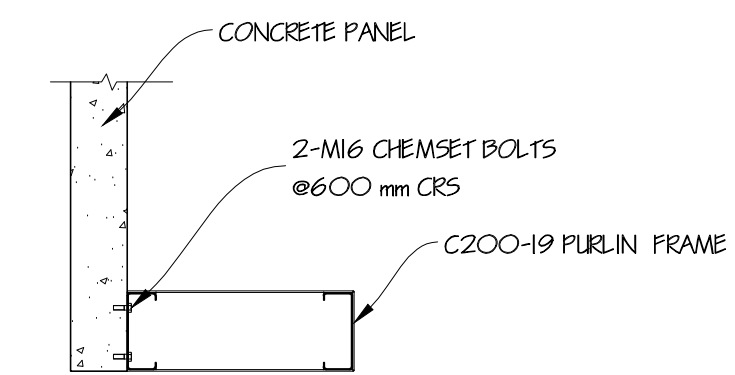


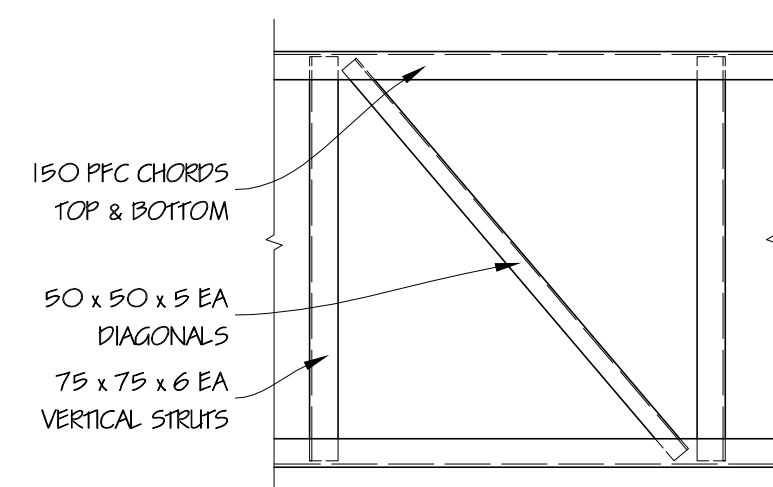
SOUTHERN FASCIA LAYOUT



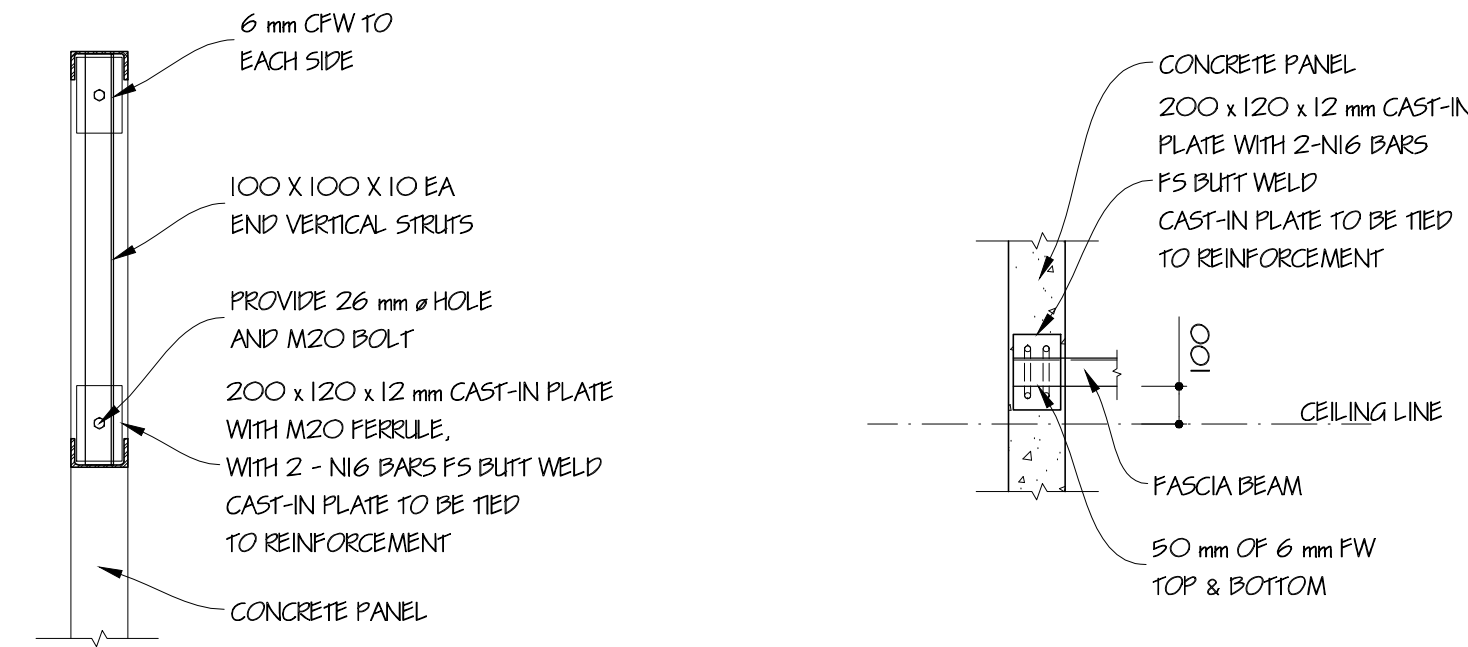
EASTERN FASCIA LAYOUT



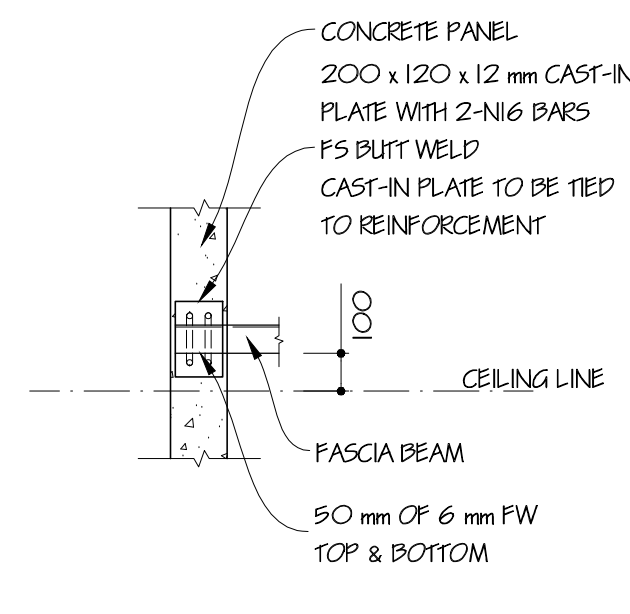
PURLIN FRAME FIXING TO CONCRETE PANEL DETAIL



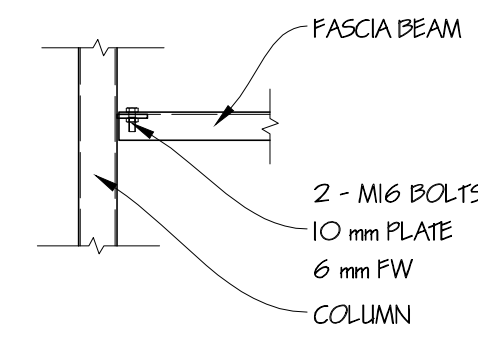
FASCIA TRUSS T1 DETAIL (TYPICAL - NOT TO SCALE)



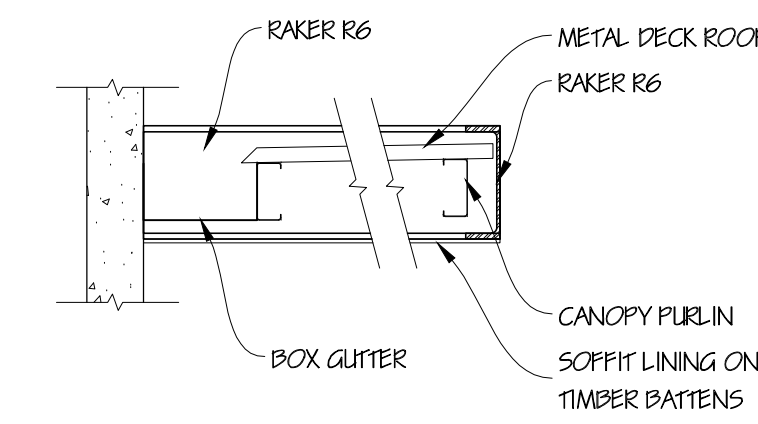
FASCIA TRUSS T1 FIXING TO CONCRETE PANEL DETAIL



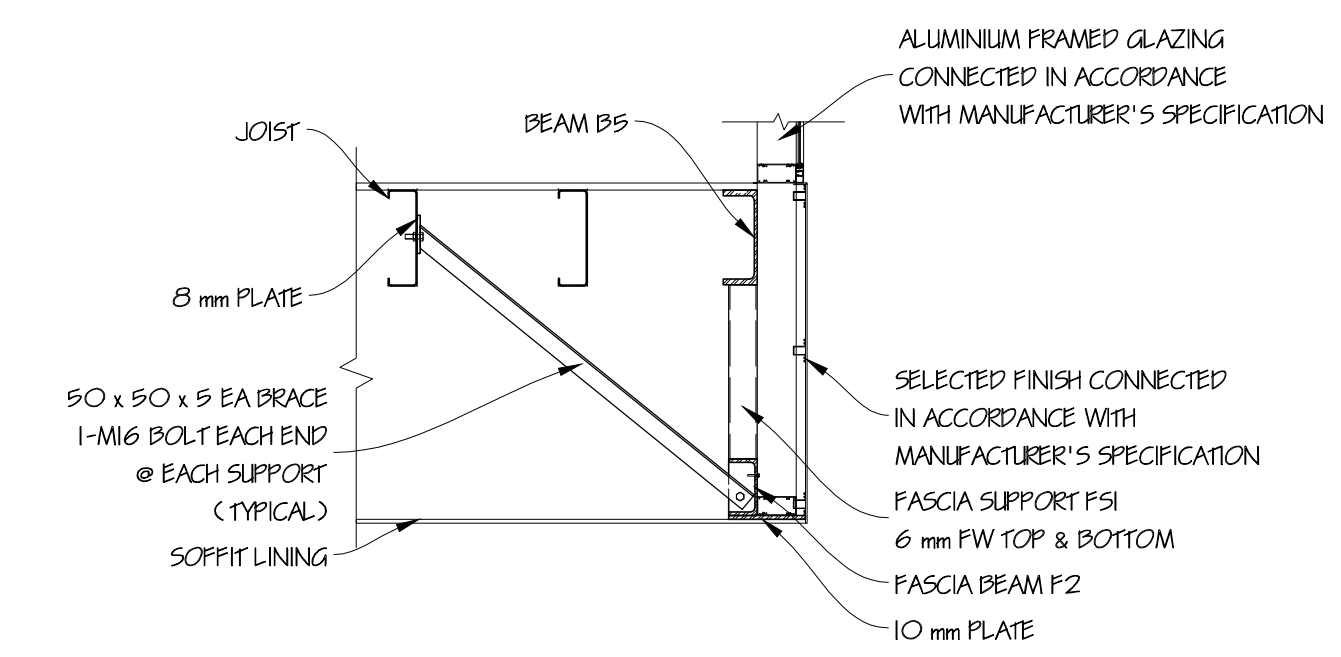
FASCIA BEAM F1 FIXING TO CONCRETE PANEL DETAIL



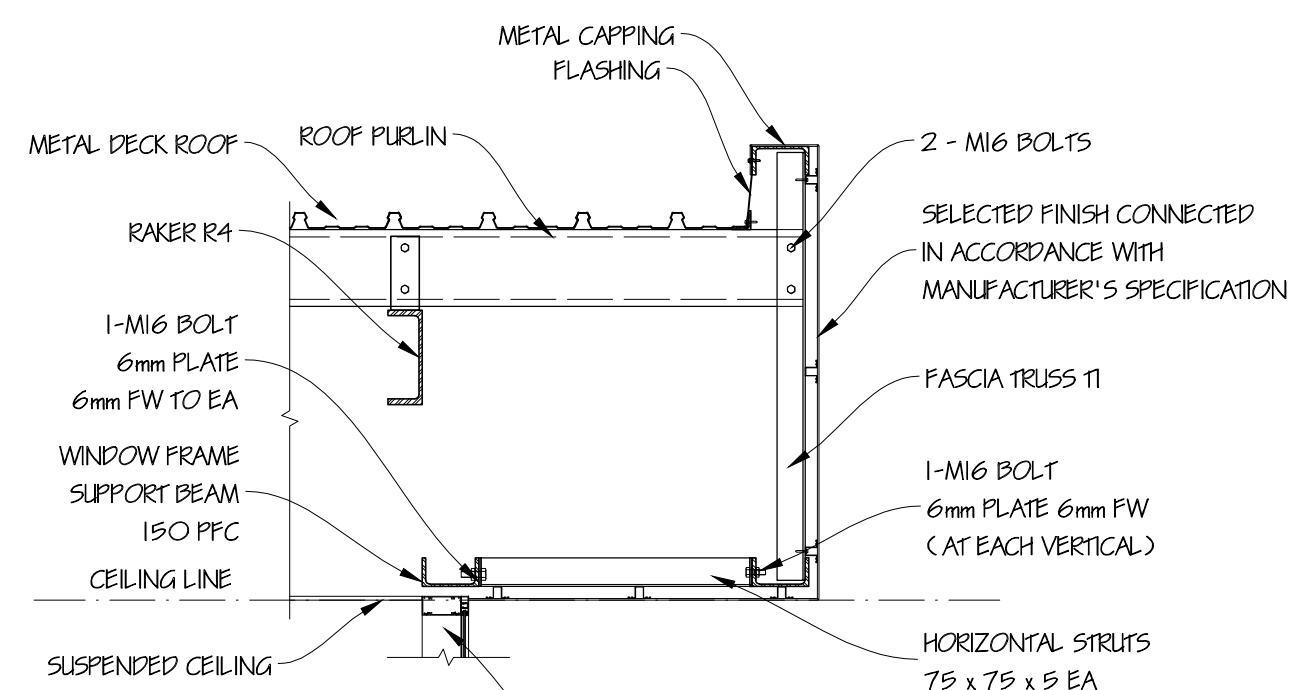
FASCIA BEAM F1 FIXING TO COLUMN DETAIL



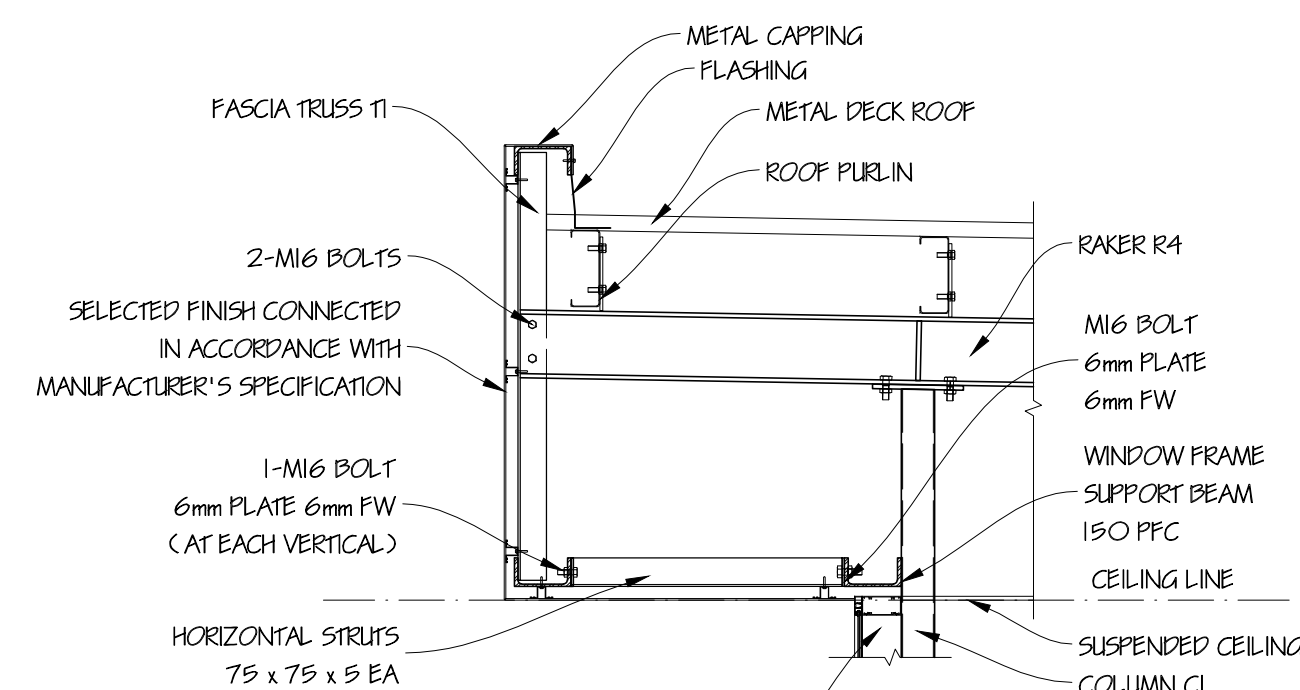
SECTION THRU CANOPY



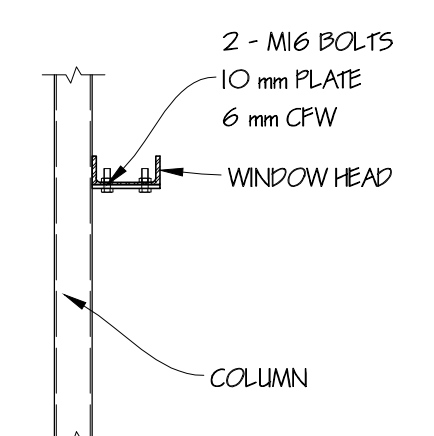
SECTION FS4 - FS4



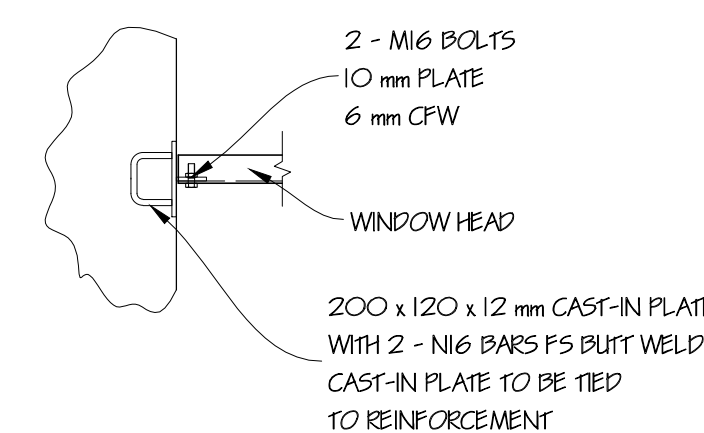
SECTION FS1 - FS1



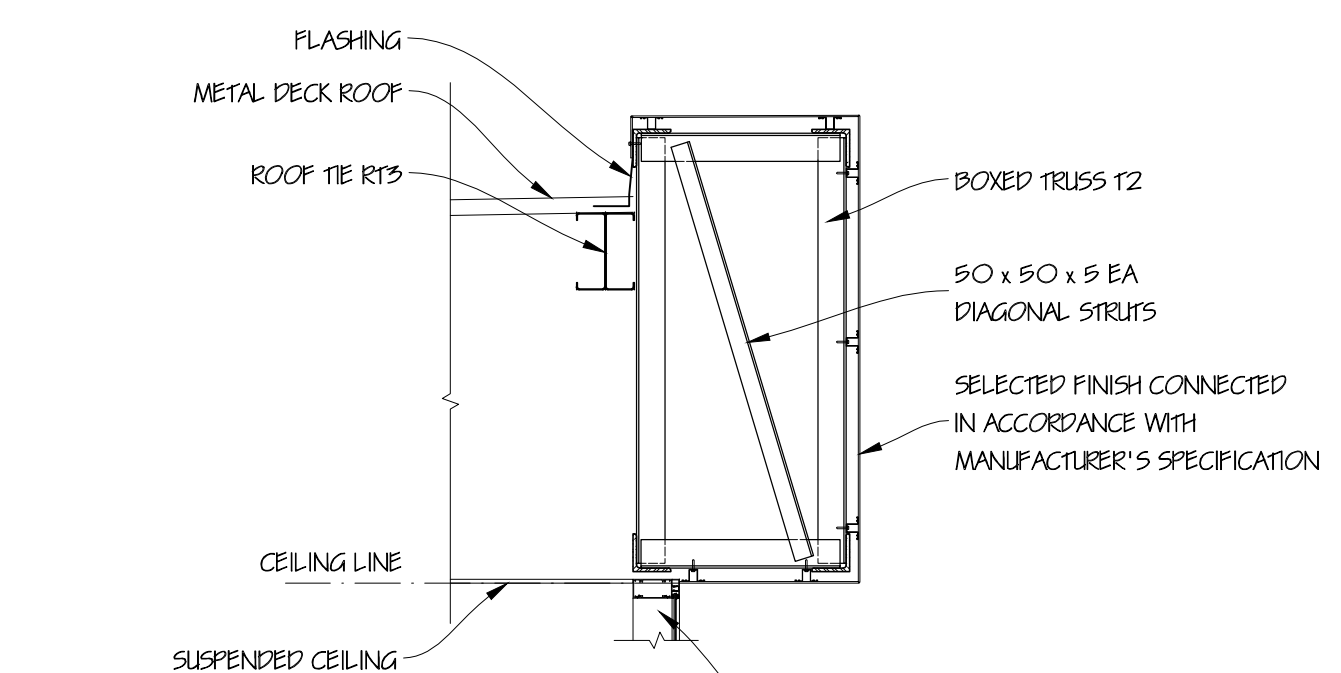
SECTION FS2 - FS2



WINDOW HEAD FIXING TO COLUMN DETAIL



WINDOW HEAD FIXING TO CONCRETE PANEL DETAIL



SECTION FS3 - FS3

ISSUE FOR CONSTRUCTION

| NO. | DESCRIPTION |
|-----|-------------|
|     |             |
|     |             |
|     |             |
|     |             |
|     |             |
|     |             |
|     |             |
|     |             |
|     |             |

All levels and dimensions to be checked and verified by the Builder prior to commencement of construction. This Document is Copyright and is supplied on the express condition that it is not to be used for any other purpose or copied or communicated to any other person without the prior permission of Stephen D'Andrea Pty. Ltd.

**STEPHEN D'ANDREA** PTY. LTD.  
 A.C.N. 005 676 568  
 SUITE 9 / 84 - 90 LAKEWOOD BOULEVARD  
 BRAESIDE 3195  
 TELEPHONE 9587 5000  
 FAX 9588 2020  
 MOBILE (0418) 314 021  
 EMAIL design@stephendandrea.com.au  
 WEB SITE www.stephendandrea.com.au

PROJECT  
**PROPOSED WAREHOUSE AND OFFICE**  
 AT No 865 MOUNTAIN HIGHWAY,  
 BAYSWATER.

CLIENT

|        |          |       |         |
|--------|----------|-------|---------|
| DATE   | JULY '16 | SCALE | 1:100   |
| DRAWN  | J.C      | SHEET | 9 OF 11 |
| DRG No | 5678/16  | ISSUE |         |